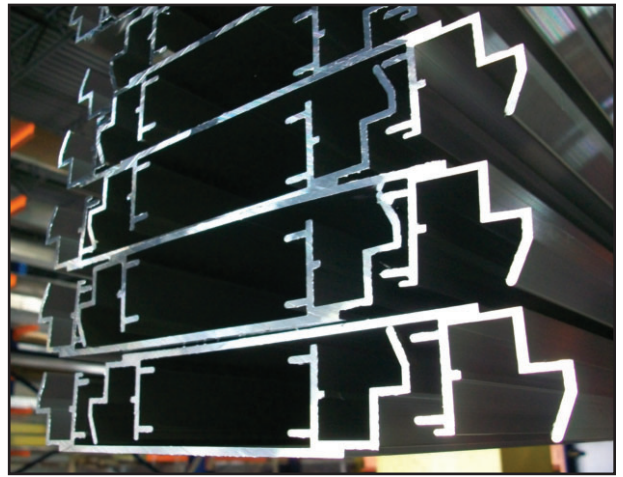


Signage

EMS has an extensive stock of sign frames, raceways & raceway lids, retainers, flex face signage, double tees, half-round posts, and a full line of aluminum standards including **Square Tube** (Standards p17), **Angle** (Standards 09) a wide selection of **Sheet & Plate Products** (Standards 05-08).

We also carry a full line of **Awning Extrusions**, **Decorative Bahama Shutters** (Hurricane 47-54) and **Sunshade Systems** (Architectural 01-02).

Stay up-to-date with our online catalog:
www.EasternMetal.com

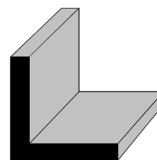


Sign Frames & Accessories

<p>12" Fixed Retainer Sign Frame x 24' 6" SF-12R 24-63-230</p> <p>Corner Key: 1/8" Angles See Schematics: Signage p 04</p>	<p>12" Sign Frame x 24' 6" w/o Retainer SF-12 24-63-235</p> <p>Corner Key: 1/8" Angles Retainer: 24-63-236 See Schematics: Signage p 04</p>
<p>10" Fixed Retainer Sign Frame x 24' 6" SF-10R 24-63-220</p> <p>Corner Key: 1/8" Angles See Schematics: Signage p 04</p>	<p>10" Sign Frame x 24' 6" w/o Retainer SF-10 24-63-225</p> <p>Corner Key: 1/8" Angles Retainer: 24-63-236 See Schematics: Signage p 04</p>

Sign Frame Retainer Angles

- 24-63-236** 1-1/2 x 1-1/2 x 1/8 x 24' 6"
 mates with SF-10, SF-12; 6" & 9" Single Face
- 24-63-216** 1-1/2 x 1-1/2 x 1/16 x 24' 6"
 mates with SF-7
- 24-63-206** 1 x 1 x 1/16 x 24' 6"
 mates with SF-4, 6" SF

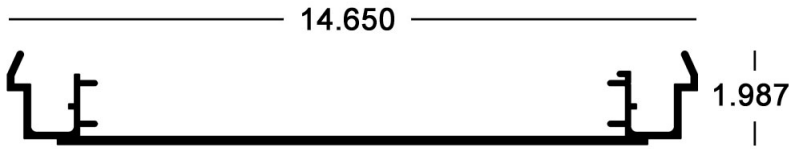


16" Sign Frame x 24' 6" w/o Retainer

SF-16 24-63-290 - NOW STOCKING!

Features & Benefits:

- Easily Accommodates Larger Pole Mounts:
 - Round Steel Poles up to 9" Schedule 40 (9.625" OD)
 - Square Steel Poles up to 10"
- Huge Labor Saver vs "Stick Building" Large Signs
 - Eliminates having to "Stub" or Telescope Poles just to
 - Accommodate Smaller Sign Frames
 - Stronger Frame for Larger Signs
 - Advantages of a Larger Frame but still Miterable in Most Sign Factories
 - Retainers also Available from Stock
- Facilitates Easier Code Compliance
- Offers Familiar EMS Frame Design Advantages but Now a Larger Frame



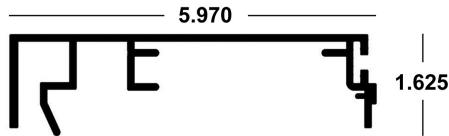
Corner Key: 3/16" Angles 2" x 1-1/2" Retainer: 40-63-128
Overall Width with Retainer Angles: 15.534"

6" Tab Mounted Sign Frame x 24' 6"

24-63-700

Mates with 24-63-148P

Used as Top and Bottom of Cabinet; Schematic at Right



Corner Key: 1/8" Angles Retainer: 24-63-236

6" Single Face Sign Frame x 24' 6"

24-63-705

Can be used as Single Face or as Sides of

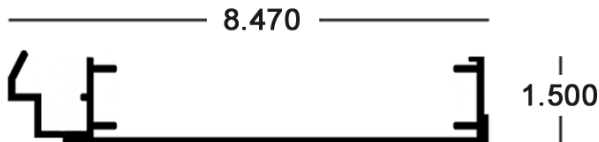
Tab Mounted Cabinet (with 24-63-700); Schematic at Right



Corner Key: 1/8" Angles Retainer: 24-63-236

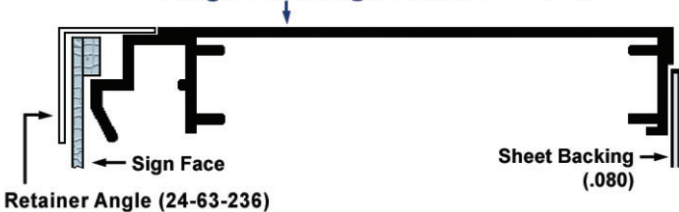
9" Single Face Sign Frame x 24' 6"

24-63-280

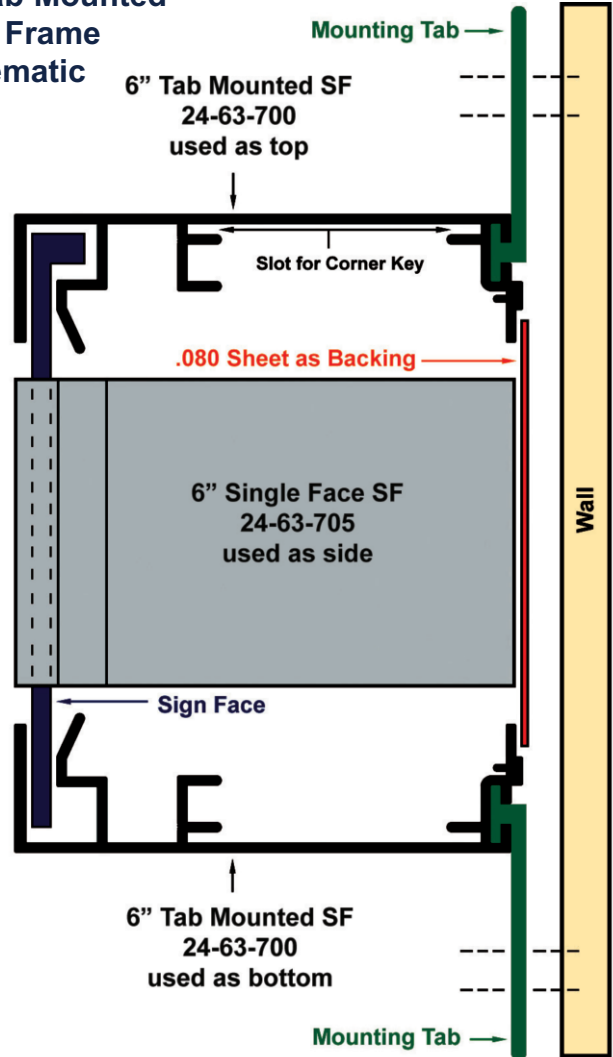


Corner Key: 1/8" Angles Retainer: 24-63-236
See Schematic below...

9" Single Face Sign Frame (24-63-280)



6" Tab Mounted Sign Frame Schematic



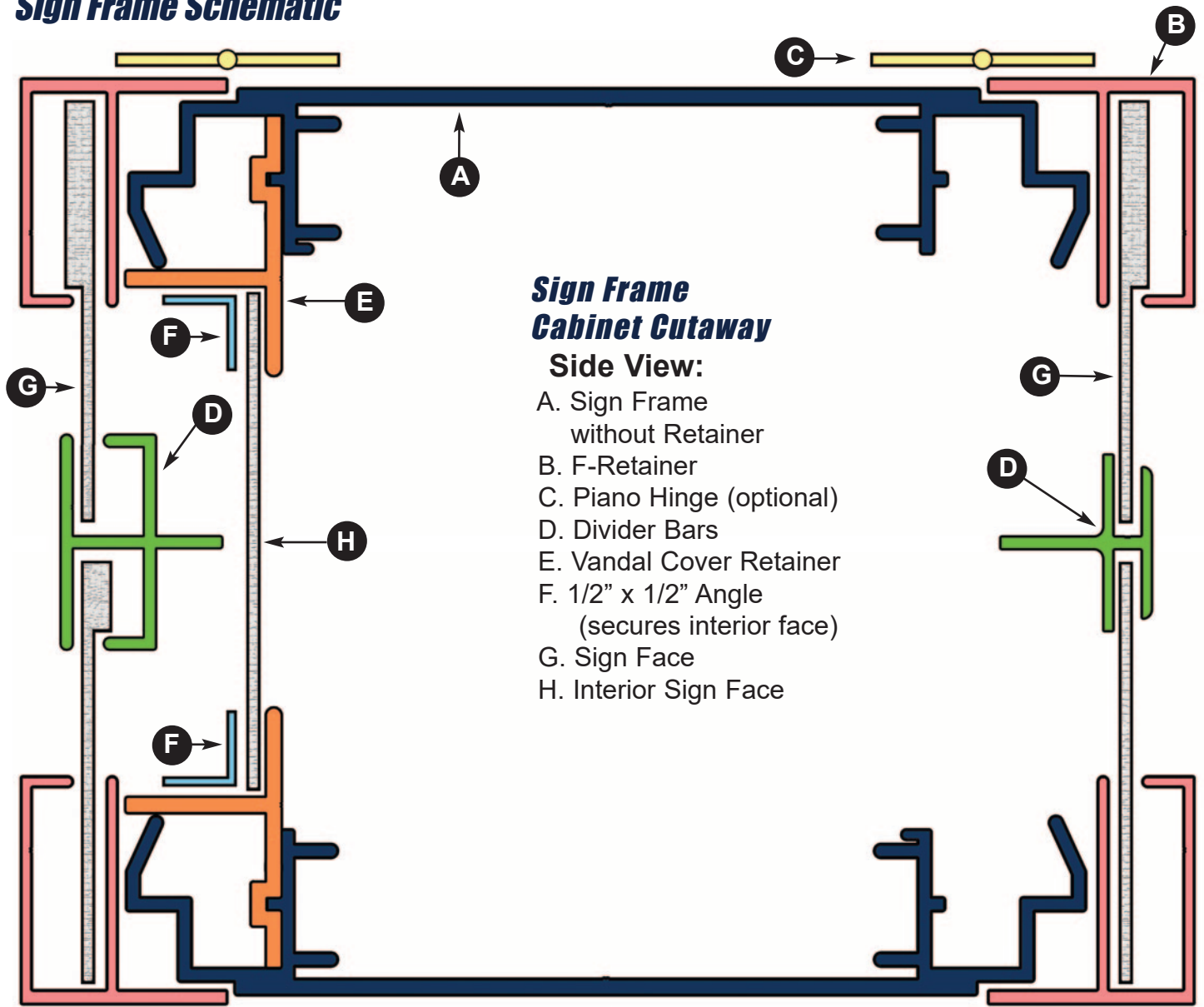
Mounting Tab x 2" 24-63-148P

50 pcs/box
1/2" hole in center

Max Load Per Tab:
Vertical: 220 #
Horizontal: 160 #



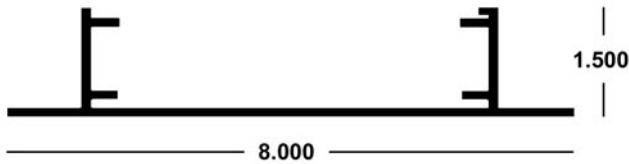
Sign Frame Schematic



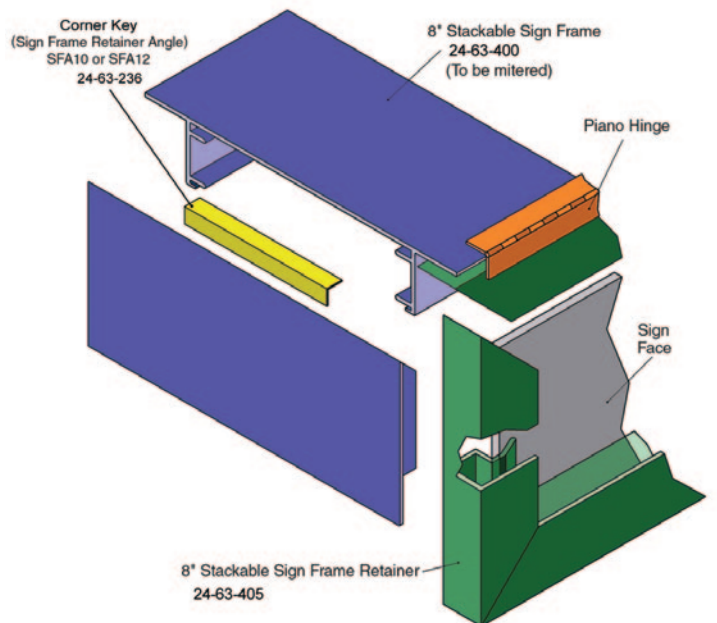
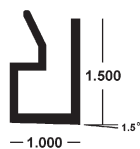
Sign Frame Cabinet Cutaway

- Side View:**
- A. Sign Frame without Retainer
 - B. F-Retainer
 - C. Piano Hinge (optional)
 - D. Divider Bars
 - E. Vandal Cover Retainer
 - F. 1/2" x 1/2" Angle (secures interior face)
 - G. Sign Face
 - H. Interior Sign Face

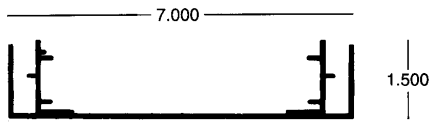
8" Stackable Sign Frame x 24' 6"
 24-63-400 (MO) Corner Key: 1/8" Angles



8" Stackable SF Retainer x 24' 6"
 24-63-405 (MO)

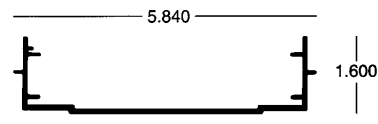


7" Fixed Retainer Sign Frame x 24' 6"
SF-7R 24-63-210



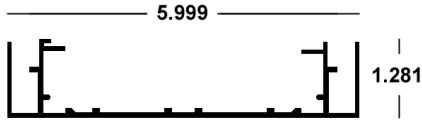
Corner Key: 1/8" Angles

7" Sign Frame x 24' 6" w/o Retainer
SF-7 24-63-215



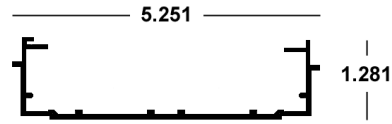
Corner Key: 1/8" Angles Retainer: 24-63-216

6" Fixed Retainer Sign Frame
24-63-260 (MO)



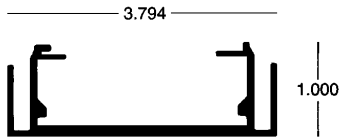
Corner Key: 3/16" Angles

6" Sign Frame w/o Retainer
24-63-255 (FL/MO)



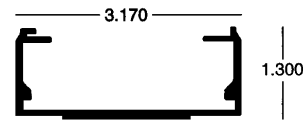
Corner Key: 3/16" Angles Retainer: 24-63-206

4" Fixed Retainer Sign Frame x 24' 6"
SF-4R 24-63-200



Corner Key: 1/8" Angles

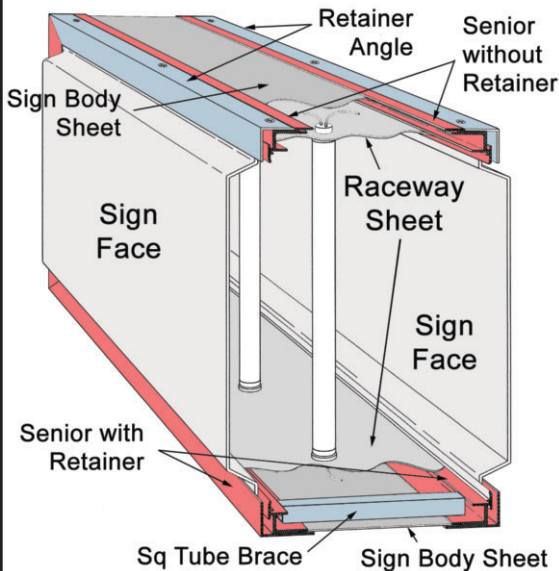
4" Sign Frame x 24' 6" w/o Retainer
SF-4 24-63-205



Corner Key: 1/8" Angles Retainer: 24-63-206



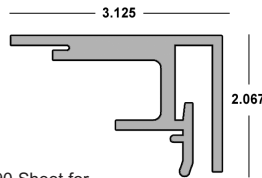
THE FLEXIBILITY TO BUILD ANY WIDTH SIGN CABINET FAST!



NO VISIBLE WELDS
SCAN TO WATCH OUR VIDEO!

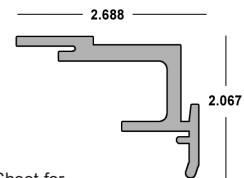
© Trademark 3,723,251 • US Patent 7,861,446

SIGNgeener® SENIOR w/Retainer x 24' 6"
24-63-600 For sign cabinets OVER 100 sq. ft. and Flex Face applications



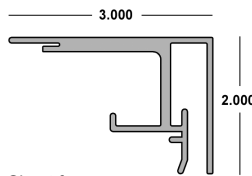
Accepts up to .090 Sheet for Sign Body & Raceway

SIGNgeener® SENIOR NO Retainer x 24' 6"
24-63-605 For sign cabinets OVER 100 sq ft and Flex Face applications; Accepts 1/8" angle as Retainer: 11-63-315



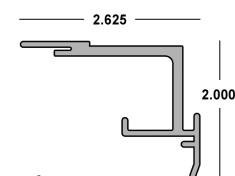
Accepts up to .090 Sheet for Sign Body & Raceway

SIGNgeener® JUNIOR w/Retainer x 24' 6"
24-63-610 For sign cabinets UNDER 100 sq. ft.



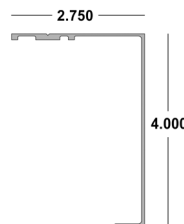
Accepts up to .060 Sheet for Sign Body & .090 for Raceway

SIGNgeener® JUNIOR NO Retainer x 24' 6"
24-63-615 For sign cabinets UNDER 100 sq. ft. Accepts 1/16" angle as Retainer: 11-63-310

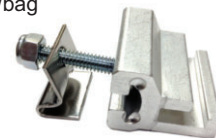


Accepts up to .060 Sheet for Sign Body & .090 for Raceway

SIGNgeener® Flex Retainer x 24' 6"
24-63-620 Used in Senior Applications only



Flex Face Wedge Clamps
SPECIAL ORDER 24-63-397 (MO) 1.5" Bolt
SPECIAL ORDER 24-63-398 (MO) 2.5" Bolt
for Flex Face Applications
100 pcs/bag



Mates with Tensioner Bar: 24-63-391



EASTERN METAL SUPPLY
FL: 800-432-2204 • NC/DE/GA: 800-343-8154 • TX/LA: 800-996-6061 • MO/OH/IN: 888-822-6061

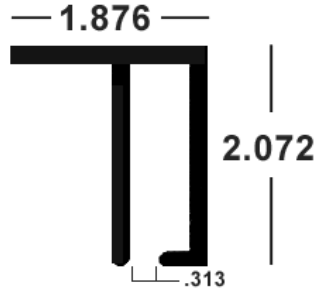
SIGNAGE 04
05/30/23

www.easternmetal.com



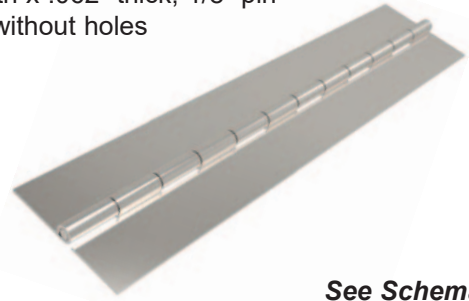
Sign Frames & Accessories

F-Retainer x 24' 6"
24-63-251
 used with
 Sign Frames



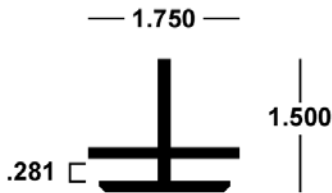
See Schematic: Signage p 03 "B"

Piano Hinge x 6'
41-63-871
 2" open width x .062" thick; 1/8" pin
 Mill Finish; without holes



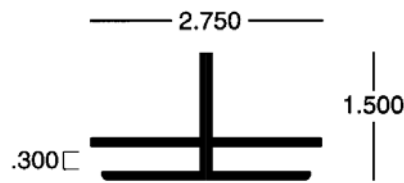
See Schematics:
 Signage p 03

**1-1/2" Double Tee
 Divider Bar x 24'**
SFT-1 24-63-120



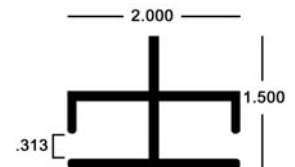
See Schematic: Signage p 03 "D"

**2-1/2" Double Tee
 Divider Bar x 24'**
SFT-2 24-63-115



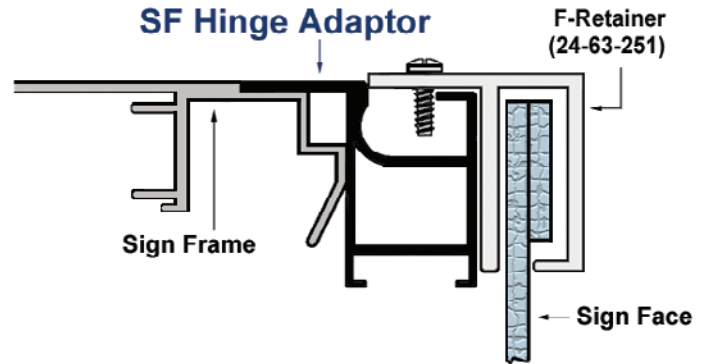
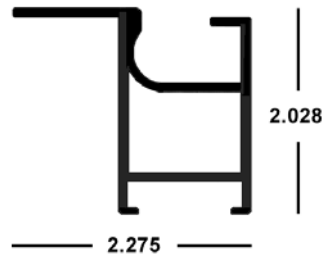
See Schematic: Signage p 03 "D"

1-1/2 x 2 Divider Bar x 24' 6"
24-63-275 (NC/TX/MO/DE)

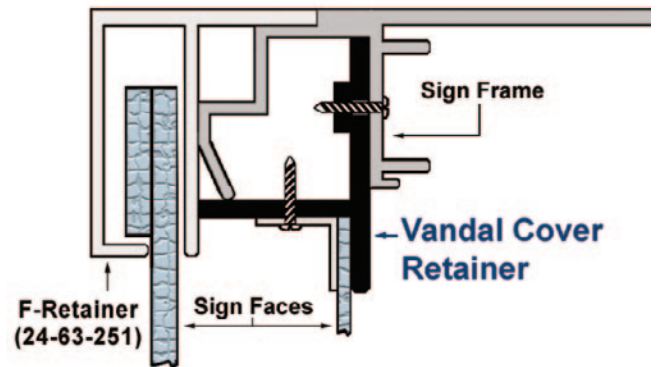
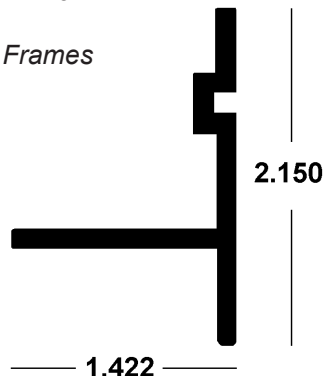


See Schematic: Signage p 03 "D"

**Sign Frame
 Hinge Adaptor x 24' 6"**
24-63-335 (NC/TX/MO)



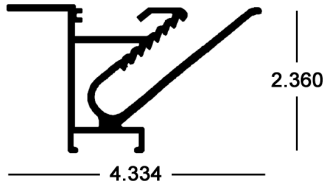
Vandal Cover Retainer x 24' 6"
24-63-270 (NC/TX)
 Used with 10" & 12" Sign Frames



Flex Face Signage - BLEED FRAME

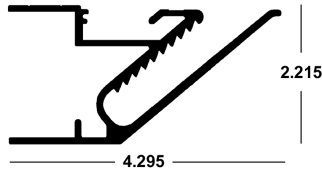
Accessories

Bleed Retro Frame x 24' 6"
24-63-305 (NC/TX) Mill Finish
 Accepts Bleed Retainer 24-63-320



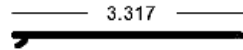
UL Recognized Component System
 The Underwriters Laboratory file number is: E136850

Bleed Frame x 24' 6"
24-63-300 (NC/TX) Mill Finish
 Accepts Bleed Retainer 24-63-320
 accepts 2" Square Tube



UL Recognized Component System
 The Underwriters Laboratory file number is: E136850

Bleed Retainer x 24' 6"
24-63-320 (NC) Mill Finish
 Mates with Bleed Retro Frame
 24-63-305 & Bleed Frame 24-63-300



Tensioner Clamp x 2"
24-63-390 (NC/TX) Mill Finish
 Mates with Tensioner Bar
 100 pcs per box

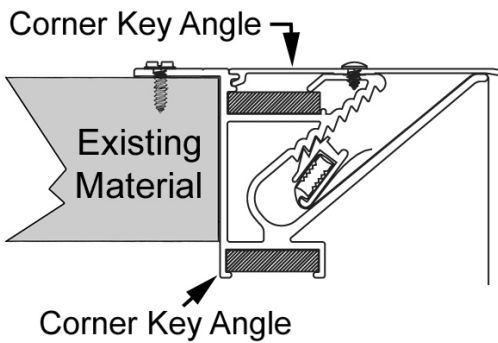


Tensioner Bar x 4"
24-63-391 (NC/TX)
 Mill Finish
 Mates with Tensioner
 Clamp; Mates with
 3M Wedge Clamp
 100 pcs per box

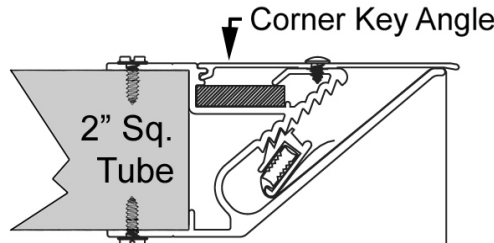


Flex Face Signage - BLEED FRAME Assembly Drawings

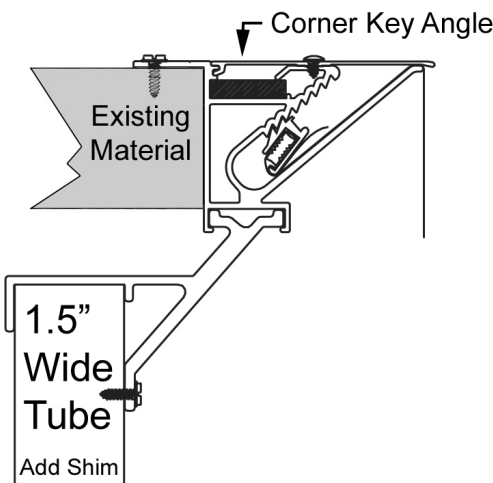
Bleed Retro Frame Assembly



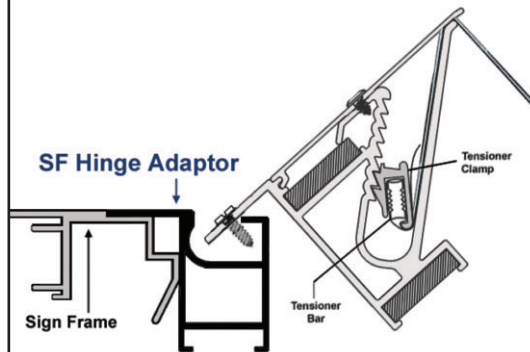
Bleed Retro Frame Assembly with Frame Brace



Bleed Retro Frame Assembly with Frame Brace



Hinge Adaptor Assembly with Bleed Retro Frame



Retainer Corner Key
24-63-395 (NC/TX) Mill Finish



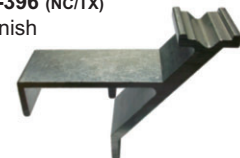
1/4" Frame Corner Key
Angle x 1-1/16"
24-63-393 (NC/TX)
 Mill Finish



1/4" Divider Corner Key
Angle x 1-1/16"
24-63-394 (TX)
 Mill Finish
 with notches
 and hole



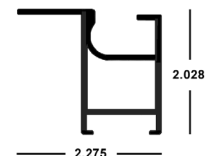
Frame Brace x 1-1/2"
24-63-396 (NC/TX)
 Mill Finish



Tensioner Tool x 15.25"
24-63-392 (NC/TX)

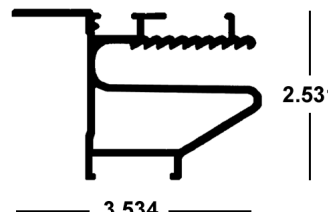
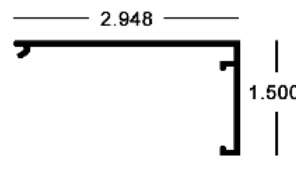
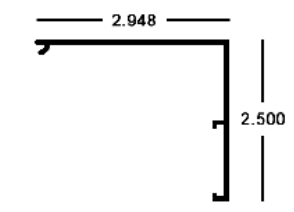




Sign Frame Hinge Adaptor x 24' 6"
24-63-335 (NC/TX) Mill Finish

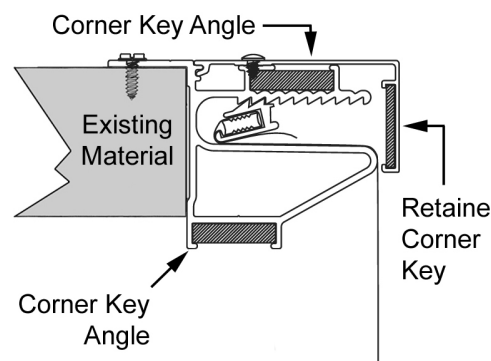
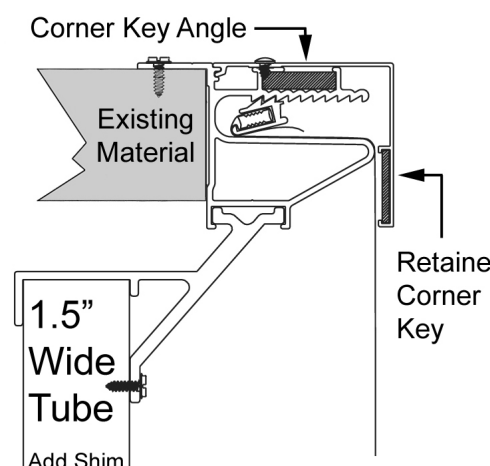

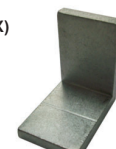

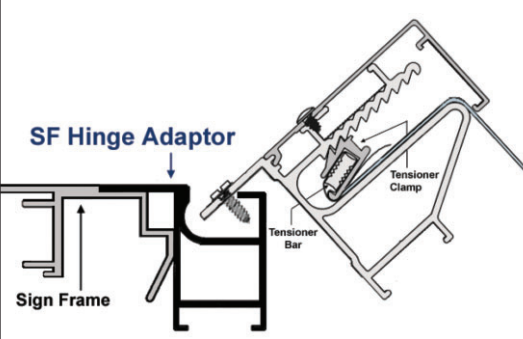





Flex Face Signage - FLEX FRAME

Accessories

<p>Flex Retro Frame x 24' 6" 24-63-315 (NC/TX) Mill Finish <i>Mates with Flex Retainers 24-63-330 & 24-63-325</i></p>  <p>UL Recognized Component System The Underwriters Laboratory file number is: E136850</p>	<p>1-1/2" Flex Retainer x 24' 6" 24-63-330 (NC/TX) Mill Finish <i>Mates with Flex Retro Frame 24-63-315</i></p> 	<p>2-1/2" Flex Retainer x 24' 6" 24-63-325 (NC/TX) Mill Finish <i>Mates with Flex Retro Frame 24-63-315</i></p> 	<p>Tensioner Clamp x 2" 24-63-390 (NC/TX) Mill Finish <i>Mates with Tensioner Bar 100 pcs per box</i></p> 
			<p>Tensioner Bar x 4" 24-63-391 (NC/TX) Mill Finish <i>Mates with Tensioner Clamp; Mates with 3M Wedge Clamp 100 pcs per box</i></p> 

Flex Face Signage - FLEX FRAME Assembly Drawings

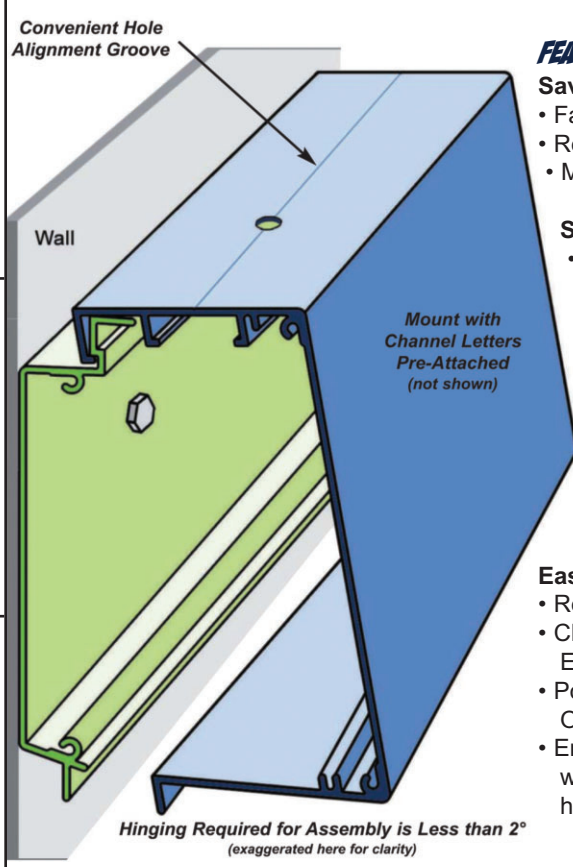
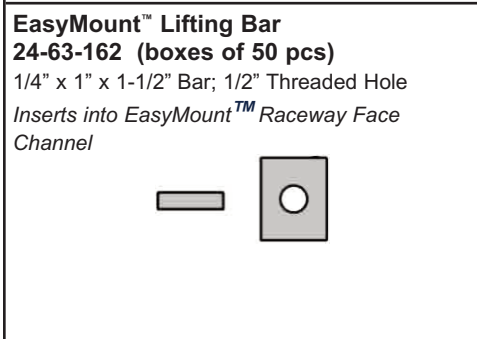
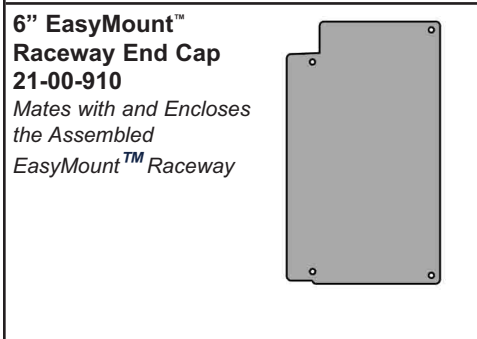
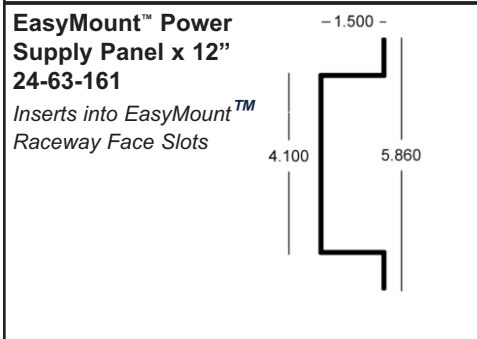
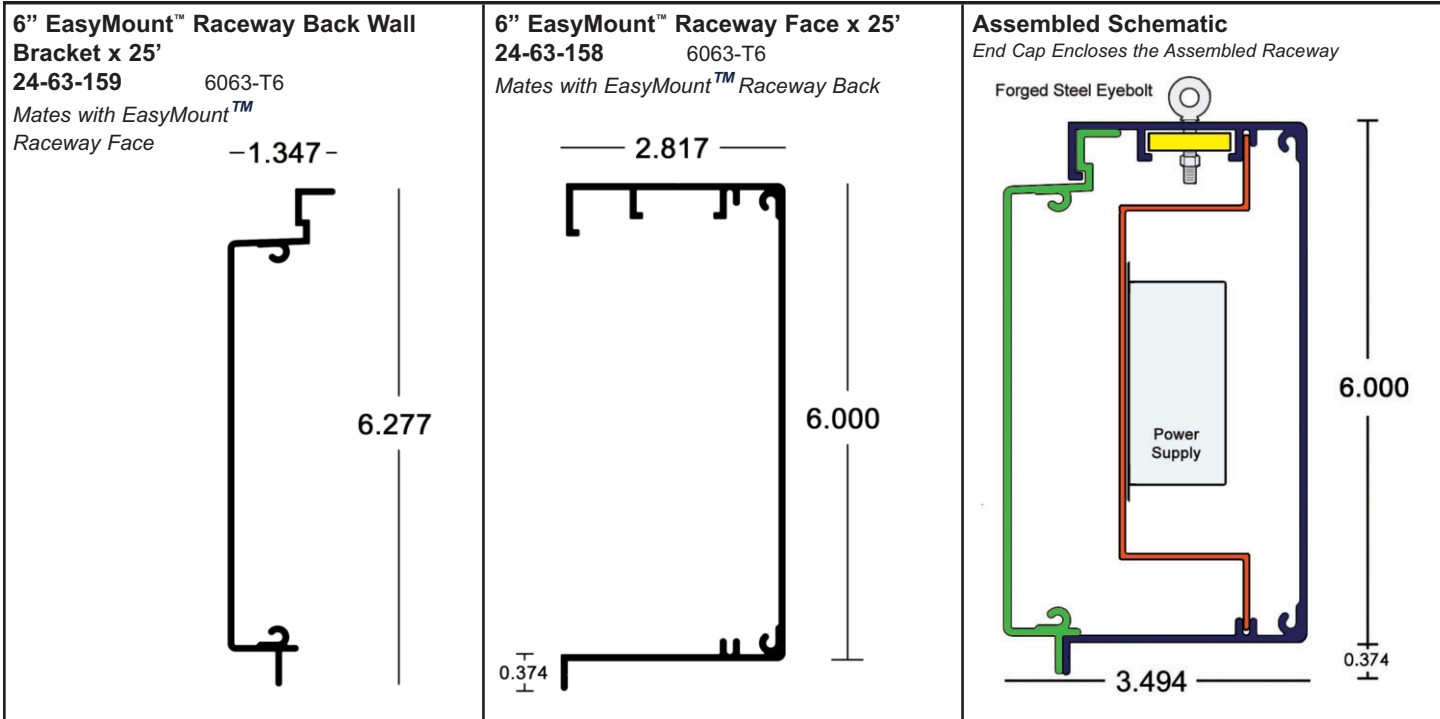
<p>Flex Frame Assembly</p> 	<p>Flex Frame Assembly with 1-1/2" Flex Retainer & Frame Brace</p> 	<p>Retainer Corner Key 24-63-395 (NC/TX) Mill Finish</p> 	
		<p>1/4" Frame Corner Key Angle x 1-1/16" 24-63-393 (NC/TX) Mill Finish</p> 	
		<p>1/4" Divider Corner Key Angle x 1-1/16" 24-63-394 (TX) Mill Finish with notches and hole</p> 	
<p>Hinge Adaptor Assembly with Flex Retro Frame</p> 			<p>Frame Brace x 1-1/2" 24-63-396 (NC/TX) Mill Finish</p> 
		<p>Tensioner Tool x 15.25" 24-63-392 (NC/TX)</p> 	
		<p>Sign Frame Hinge Adaptor x 24' 6" 24-63-335 (NC/TX) Mill Finish</p> 	

EASY MOUNT Channel Letter Raceway

Channel letter raceway

Revolutionary
Patented
Design

Exclusively Distributed by **Eastern Metal Supply**



FEATURES & BENEFITS:

Saves Time & Money:

- Faster Installation
- Reduced Labor Cost
- Minimal Fabrication Time

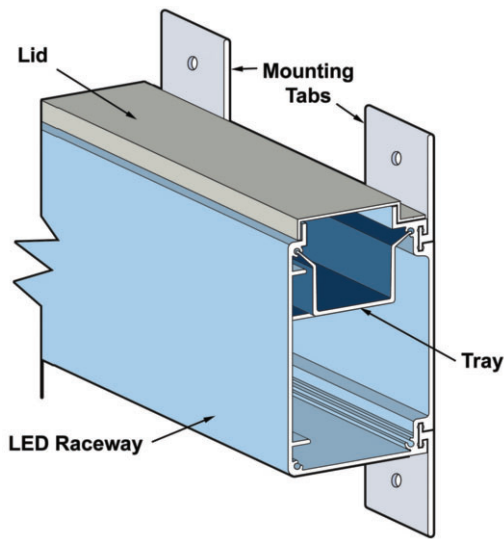
Simple Installation:

- Easily Mounted Structural Raceway Back
- Easily Attach Raceway Face with Pre-Mounted Channel Letters which Drops and Locks into Place
- Virtually Invisible Raceway Back Helps Create a Sleek Look
- Unique Design Reduces Possibility of Channel Letter Damage

Easy Access:

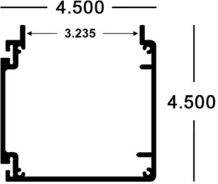
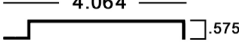
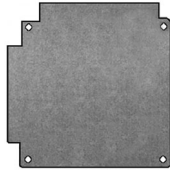

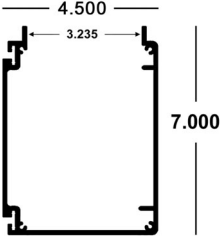
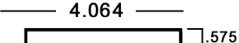
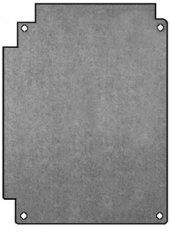
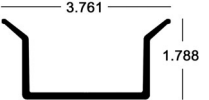
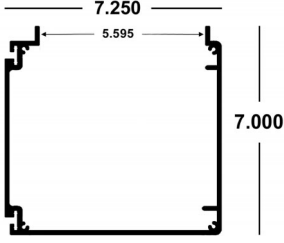
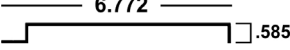
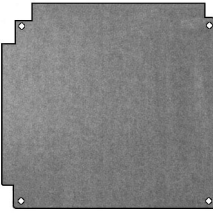
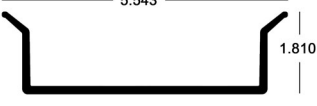
- Reduced Maintenance Times
- Change Letters Without Removing Entire Raceway
- Power Supply Panel Slides In-and Out Via Convenient Slots
- End Access Improves Serviceability when Channel Letters are Large or have ACM Backing





LED Raceways - Features & Benefits:

- Extruded Raceway's and Lid's as well as pre-cut Mounting Tab's and End Cap's save you valuable fabrication time.
- Easy Service Lid - No Hinge
- Mounting is faster and easier using the Tabs Slots at the top and bottom of the raceway.
- Keep the transformer off the bottom of the raceway using flat bar or sheet. The 12" Raceway Tray slides into upper or lower screw bosses to accomplish the same goal.
- Tube, Angle or Channel can be added as a spreader/lift & carry bar to easily move the completed raceway.
- End caps with prefabricated holes for screws designed to fit this raceway allow for a clean, finished look.

<p>4-1/2" x 4-1/2" Tab Mounted LED Raceway x 25' 24-63-156 <i>Used with 24-63-157, 21-00-928 24-63-148P, 24-63-449F</i></p> 	<p>4-1/2" Raceway Lid x 25' 24-63-157 <i>Used with 24-63-155, 24-63-156</i></p> 	<p>4-1/2" x 4-1/2" End Cap 21-00-928 <i>Used with 24-63-156</i></p> 	<p>Raceway Mounting Tab x 2" 24-63-148P 50 pcs/box <i>1/2" hole in center</i> Max Load Per Tab: Vertical: 220 # Horizontal: 160 #</p> 
<p>4-1/2" x 7" Tab Mounted LED Raceway x 25' 24-63-155 <i>Used with 24-63-157, 21-00-927, 24-63-148P, 24-63-449F</i></p> 	<p>4-1/2" Raceway Lid x 25' 24-63-157 <i>Used with 24-63-155, 24-63-156</i></p> 	<p>4-1/2" x 7" End Cap 21-00-927 <i>Used with 24-63-155</i></p> 	<p>1.788 x 3.761 Raceway Tray x 12" 24-63-449F <i>Used with 24-63-156, 24-63-155 Transformer mounting tray designed & fabricated to slide into existing Raceway screw bosses of 4-1/2" Wide LED Raceways.</i></p>  <p>Tray slides into screw bosses for top orientation; can also be flipped and slid into screw bosses for bottom orientation</p>
<p>7-1/4" x 7" Tab Mounted Raceway x 25' 24-63-149 <i>Used with 24-63-150, 24-63-148P, 21-00-909, 24-63-450F</i></p> 	<p>7-1/4" Tab Mounted Raceway Lid x 25' 24-63-150 <i>Used with 24-63-149, 24-63-135 and 24-63-138</i></p> 	<p>7-1/4" Tab Mounted Raceway End Cap 21-00-909 <i>Used with 24-63-149</i></p> 	<p>1.81 x 5.543 Raceway Tray x 12" 24-63-450F (TX) <i>Used with 24-63-149 Transformer mounting tray designed & fabricated to slide into existing Raceway screw bosses of 7-1/4" Wide LED Raceways.</i></p>  <p>Tray slides into screw bosses for top orientation; can also be flipped and slid into screw bosses for bottom orientation</p>



Raceways & Wireways

<p>3" x 1-1/2" Raceway x 20' 24-63-125 RW-3 <i>aka Lamp/Socket Track</i></p>	<p>4" x 1-1/2" Raceway x 20' 24-63-265 RW-4A <i>aka Lamp/Socket Track</i> <i>mates with 24-63-141</i></p>	<p>4" x 1" Raceway x 20' 24-63-140 RW-4 <i>aka Lamp/Socket Track</i> <i>mates with 24-63-141</i></p>
--	--	---

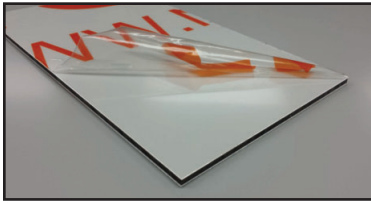
<p>6" Raceway x 20' (24' in TX) RW-6 24-63-130</p>	<p>7-1/4" Raceway RW-7 x 20' 24-63-135 25' 24-63-138 <i>mates with</i> <i>24-63-136</i> <i>24-63-139</i> <i>21-00-901</i> <i>24-63-150</i></p>
---	--

<p>4" Raceway Lid x 20' MILL ORDER 24-63-141</p>	<p>7-1/4" Raceway Lid RL-7 24-63-136 x 20' 24-63-139 x 25' <i>Used with 24-63-135; 24-63-138</i></p>	<p>7-1/4" Raceway End Cap 21-00-901 <i>Used with 24-63-135; 24-63-138</i></p>
---	--	---

<p>Socket Track Base x 24' 24-63-500 Socket Track Cap x 24' 24-63-505 <i>Socket Track Cap snaps into Socket Track Base</i></p>	<p>Lamp Base x 24' MILL ORDER 24-63-520 Lamp Base Cover x 24' MILL ORDER 24-63-525 <i>Lamp Base Cover mates with Lamp Base</i> <i>Overall assembled height is 1.29"</i></p>
--	--



ACM & Channel Letter Coil - See Sheet & Plate section for full line of products



Channel Letter Coil
PVC Mask One Side Coil In Stock (20" ID Coil)

Stock Code	Size in Inches
WHITE/WHITE	
49-WH-004	.040 x 5.50 (5.3") x 270'

BRONZE/WHITE	
49-DB-004	.040 x 5.50 (5.3") x 270'

RED/WHITE	
49-RD-004	.040 x 5.50 (5.3") x 270'

BLACK/WHITE	
49-BK-004	.040 x 5.50 (5.3") x 270'

MATTE BLACK/GLOSSWHITE	
49-MATBLK-004	.040 x 5.50 (5.3") x 270'

BRIGHT BRUSHED CLEAR	
50-CL-742C (NC)	.040 x 5.50 (5.3") x 270'

MILL FINISH (No PVC Mask)	
49-MF-007 (TX)	.063 x 2.00 x 270'
49-MF-005 (TX)	.063 x 3.00 x 270'
49-MF-006 (TX)	.063 x 3.50 x 270'
49-MF-008 (TX)	.063 x 4.00 x 270'
49-MF-009 (TX)	.063 x 6.00 x 270'

Aluminum Composite Material (ACM)

PolyMetal - UL Listed (.008 Skin Thickness; 55° Gloss)

50-PM-100	3mm x 4' x 8'	White/White
50-PM-105	3mm x 4' x 8'	Black/Black
50-PM-110	3mm x 4' x 8'	White One Side
50-PM-115	3mm x 4' x 10'	White/White
50-PM-120	3mm x 4' x 10'	Black/Black
50-PM-125	3mm x 5' x 10'	White/White
50-PM-130	6mm x 4' x 8'	White/White
50-PM-135	6mm x 4' x 8'	Black/Black
50-PM-140	6mm x 4' x 10'	White/White

ValuMetal - Non-UL (.004 Skin Thickness; 55° Gloss)

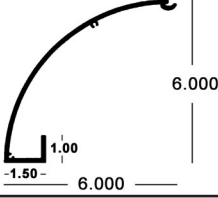
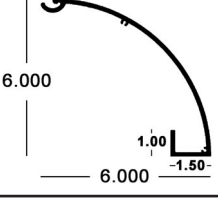
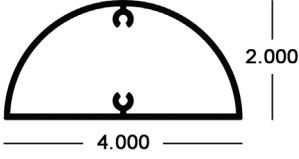
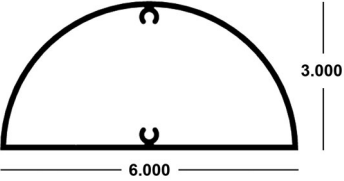
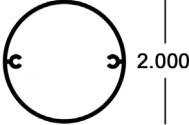
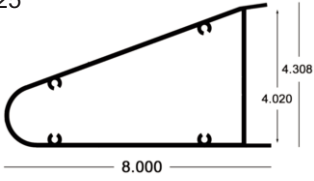
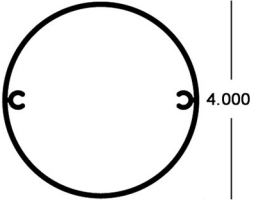

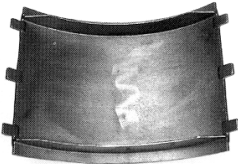
50-VM-100	3mm x 4' x 8'	White/White
-----------	---------------	-------------

EZ Clips

<p>EZ Clip - 3/8" Lift Off Self Mating; Easily shipped in buckets 40-63-008 144" No Holes 40-63-008-2 (TX) 2.000" 2 Holes 1000/bucket 40-63-008-7 (TX) 7.625" 6 Holes 400/bucket 40-63-008-13 (TX) 13.125" 10 Holes 250/bucket</p>	<p>1</p> <p>Wall</p> <p>Sign / Art / Cabinet</p>	<p>2</p> <p>Wall</p> <p>Sign / Art / Cabinet</p>	<p>3</p> <p>Wall</p> <p>Sign / Art / Cabinet</p>
<p>EZ Clip - 5/8" Lift Off Self Mating 40-63-007 (TX) 144" (no holes)</p>	<p>1-3/4 H-Retainer x 16'6" 24-63-160 (NC/TX/MO) Accepts 1/4" Sign Faces</p>	<p>J Molding Channel MILL ORDER 52-63-12993 5/16" MILL ORDER 52-63-12994 7/8"</p>	



Miscellaneous Signage

<p>12" Half Round Male x 16' 24-61-241 (NC/TX) mates with female side Wall Thickness: 0.140 6005-T6</p> 	<p>12" Half Round Female x 16' 24-61-242 (NC/TX) mates with male side Wall Thickness: 0.140 6005-T6</p> 	<p>4" x 2" x .083" Half Round x 24' 56-63-202 (FL) 6063 T6 M/F</p> 
<p>6" x 3" x .100" Half Round x 24' 56-63-205 (FL) 6063 T6 M/F</p> 	<p>2" Post MILL ORDER 052295 (FL)</p> 	<p>Sloped Bullnose x 24' MILL ORDER 52-61-4733 Wall: .125</p> 
<p>4" x .093" Post x 24' 56-63-204 (FL) 6063 T6 M/F</p> 	<p>9" Radius Corner Retainer 21-00-905 (NC)</p> 	<p>9" Radius Corner 21-00-904 (NC/TX) For 12" Sign Frame</p> 

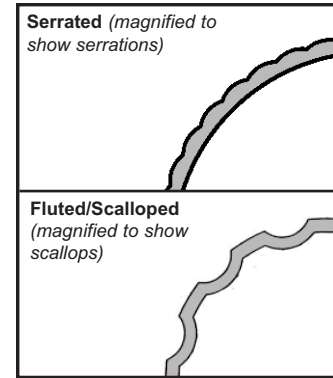
Serrated Tube

Stock Code	Description	Aprox. Wt/Lin ft.
52-63-537	.875 x .049 x 20' (0.777 ID) 6063-T6	0.142
51-63-381	1 x .049 x 20' (0.902 ID) 6063-T6	0.156
51-00-051	1.375 x .093 x 20' (1.188 ID) 6063-T5	0.408
17-63-149	3 x .074 x 24' (2.852 ID) 6063-T5	0.752
17-63-151	3 x .120 x 24' (2.760 ID) 6063-T5	1.201

Fluted/Scalloped Round Tube

Multiple Flute Designs are available; Please request prints

MILL ORDER 52-63-6106	2.940 x .105	1.158
MILL ORDER 52-63-10152	3 x .062	0.732
17-61-715	3 x .125 x 15' (6061-T6)	1.259
17-63-300	3 x .125 x 24' (6063 T5)	1.259
17-61-324	3 x .125 x 24' (6061-T6)	1.259
17-63-310	4 x .120 x 24' (6063 T5)	1.891
17-63-310 (NC)	4 x .125 x 24' (6063 T5)	1.985
17-63-510 (MO)	4 x .125 x 24' (6063 T5)	1.985
MILL ORDER 17-61-315	4 x .188	2.898
MILL ORDER 17-63-429 (TX)	5 x .190	3.727



Multiple Flute Designs are available; Please request prints



Elliptical Air Foil Tube

Elliptical Air Foil Tube (with Screw Bosses) See Architectural p 01 for Air Foil profiles

Stock Code Description

56-63-200	2-1/8" Air Foil x 16'
56-63-400	4" Air Foil x 24' (Wall: .080)
56-63-600	6" Air Foil x 24' (Wall: .085/.100)
52-63-1020 (MO)	6" Air Foil x 24' (Wall: .085)
MILL ORDER	7" Air Foil (52-63-12534)

Stock Code Description

56-63-800	8" Air Foil x 24' (Wall: .110; 2 screw bosses)
56-63-825	8" Air Foil (Wall: .110; 2 Screw Bosses with Support Beam)
MILL ORDER	8" Air Foil (8 screw bosses - FH03082 TX)
MILL ORDER	10" Air Foil (Wall: .125 - 56-63-1000)
MILL ORDER	12" Air Foil (Wall: .188 - 52-63-11852)

